



File Name: campbell hausfeld paint pro contractor manual.pdf

Size: 2723 KB

Type: PDF, ePub, eBook

Category: Book

Uploaded: 20 May 2019, 16:32 PM

Rating: 4.6/5 from 832 votes.

Status: AVAILABLE

Last checked: 3 Minutes ago!

In order to read or download campbell hausfeld paint pro contractor manual ebook, you need to create a FREE account.

[Download Now!](#)

eBook includes PDF, ePub and Kindle version

[Register a free 1 month Trial Account.](#)

[Download as many books as you like \(Personal use\)](#)

[Cancel the membership at any time if not satisfied.](#)

[Join Over 80000 Happy Readers](#)

Book Descriptions:

We have made it easy for you to find a PDF Ebooks without any digging. And by having access to our ebooks online or by storing it on your computer, you have convenient answers with campbell hausfeld paint pro contractor manual . To get started finding campbell hausfeld paint pro contractor manual , you are right to find our website which has a comprehensive collection of manuals listed. Our library is the biggest of these that have literally hundreds of thousands of different products represented.



Book Descriptions:

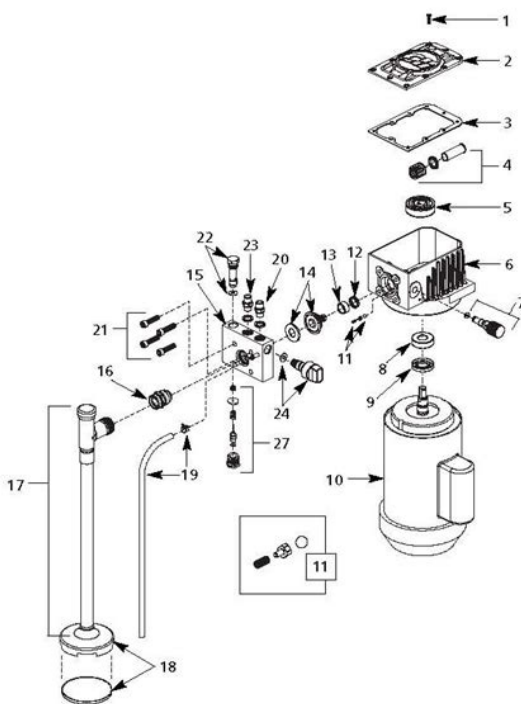
campbell hausfeld paint pro contractor manual



Read carefully before attempting to assemble, install, operate or maintain the product described. Protect yourself and Retain instructions for This information is provided for SAFETY and to PREVENT EQUIPMENT PROBLEMS. To help recognize this information, observe the following symbols. Use only Campbell Hausfeld replacement parts rated at 3000 psi 20 500 kPa or higher. NOTE Strain and thin paint before using. All paint may have particles that will clog filter and spray tips. Description Handle with hose rack Carriage Bolt Knob Spacer www.chpower.com Address parts correspondence to Campbell Hausfeld Attn customer Service 100 Production Drive Harrison, OH 45030 U.S.A. Part Ref. qty. Description AL167960JJ Palnut. Clogged gun filter pressure, however, the equipment does not spray or 22 Clogged Spray Tip produce a quality spray pattern 23 A. Tip is damaged or worn B. It also describes information tools available at eReplacementParts.com. The pump has sat for about 10 years. Thanks for your question! We are showing these parts to be discontinued by the manufacturer. This means the manufacturer doesnt make this part anymore. There are no substitute parts made by the manufacturer to replace this part. There is no longer any way for us to find this part and stock it in our warehouse. We recommend using a search engine and type in the part numbers and see if other retailers still have this part in stock, visiting online stores such as eBay and finding sellers that have this part. Trying retailers and repair stores in your local area to see if they have the part in their inventory. Talking to a local repair technician, who may have the part you need, or may be able to repair your existing

part. You can also try reaching out to Campbell Hausfeld Tech at 8005436400 to see what their recommendations are for replacing this part. We hope this helps! Hope this helps, WJA Hope this helps, WJA Replacement every year of use is recommended. Hope this helps, WJA. <http://www.dbc-online.com/files/articles/directv-sat-go-manual.xml>

- **campbell hausfeld paint pro contractor manual, campbell hausfeld paint pro contractor manual pdf, campbell hausfeld paint pro contractor manual free, campbell hausfeld paint pro contractor manual online, campbell hausfeld paint pro contractor manual software, campbell hausfeld paint pro contractor manual instructions, campbell hausfeld paint pro contractor manual 2017, campbell hausfeld paint pro contractor manual tool, campbell hausfeld paint pro contractor manual pro.**



I never used the unit, however a son did and used it several times. I need to know where I can get a manual and if its worth rebuilding the unit. Does this help in any way Does this help in any way A web site shows the exact unit and was searched using the DK171600AV number. It states its a 1 hp, 3000 psi,.44 gpm, however its a new one they want to sell. A web site shows the exact unit and was searched using the DK171600AV number. It states its a 1 hp, 3000 psi,.44 gpm, however its a new one they want to sell. Used a model number PS290D That looks to be very similar to your sprayer. Used a model number PS290D That looks to be very similar to your sprayer. Is the model number you passed correct. It certainly is not crossing to anything at this time. Even an ebay search did not reveal any used like items. Let me know if the model number is incorrect. Just a note that if you do find a good model number you can parts search here Link initially will show an error.Still trying to help.Just take a look at these manuals. Still trying to help.Login to post Campbell Hausfeld Airless paint sprayer 2 3 hp Google Search Pay paticular attention to the inlet and outet valves. They must be absolutely clean to function. These pumps must be thoroughly cleaned when finished. If they are not remove the large inlet valve and inspect the diaphragm. If it is bulged out then that is your problemAnother reason was when the gun toppled over and paint went into the spring and needle in which case you will have to take it apart and clean it.Is this an error Contradicts everything else Ive

read. The plastic cover is off and it looks as there is a technic to remove or can I force it off The plastic cover is off and it looks as there is a technic to remove or can I force it off I am trying to winterize it using the karcher antifreeze. Answer questions, earn points and help others. <http://www.deloge-nt.fr/media/photo/directv-self-installation-manuals.xml>

Operating and Assembly Instructions

Please read and save these instructions. Read carefully before attempting to assemble, install, operate or maintain the product described. Protect yourself and others by observing all safety information. Failure to comply with instructions could result in personal injury and/or property damage! Retain instructions for future reference.

CAMPBELL HAUSFELD **Airless Paint Sprayers**

For questions, parts and accessories: 1-800-626-4401



Models P52700, P52710 and P52900

Operating Pressure	Power Requirements	Safety Features	Weight (lbs)	Capacity (GPM) @ 8 psi	Capacity (GPM) @ 2000 psi	Maximum Hose Length	Maximum Tip Size
0 psi - 3000 psi	115 Volts AC 60 Hz 15 Amps Min. Circuit	Spray gun trigger lock Spray gun trigger guard Spray gun pressure diffuser Prime/Spray valve over pressure relief	75 lbs	60	40	1 Gun, 300 ft. 2 Guns, 100 ft.	1 Gun, Ø1 1/8 in. 2 Guns, Ø1 1/4 in.

© 2010 Campbell Hausfeld/Scott Fetzer For parts, product & service information visit www.chpower.com IN425101AV 5/10

Join for free Join for free Join for free Join for free Join for free I have cleaned all hoses, nozzles, gun everything I can think of and I still cant get it to work. When I plug it in it sounds like the pump is working but obviously something is wrong. Can Anyone help me with this Im at job and kind of need it to work today, dont have time or money to go buy another one.It is located on the top of the pump a brass fitting There is a spring loaded valve in the middle of it,it should spring back freely when you press on it. The outlet valve may be worn out PM me if you need further help. The CH site has manuals that you can down load with trouble shooting section.Its probably just stuck. Another thing to check is if the diaphragm is still good. Probably just a few hex bolts to pull the pump head apart. Also, make sure you read the instructions on how to prime it.Probably some sort of a check valve, spring valve, ball valve on the inlet side near the pump, make sure it is free to operate.Those rigs are DIYers and handyman tools. If your gonna paint at least get good tools. Never understood why one would buy cheap azz tools to make themselves money. You can never go wrong with a well built tool, but a cheap tool will make you look wrong.Not all of us have deep pockets or a line of credit when we first start up in business. Gotta be better than a brush.A cheap tool will only get you by, if it doesnt pizz you off 1st. If you cant afford to get tools, you shouldnt be in business. Just sounds like a broke business, to me that wont amount to anything than a handyman. Get a job and save the bread until you can get the proper tools to complete the job youve been awarded. And dont judge me, Ive had my share of hard knocks. No need to play patty cake, so someone can FEEL like a contractor.IIRC the Titan 440i has a lifetime warranty on the motor someone correct me if Im wrong. A cheap tool will only get you by, if it doesnt pizz you off 1st.

No need to play patty cake, so someone can FEEL like a contractor. I started out with a couple of cheap guns. After a while I got a few more expensive guns and then a AAA setup. I had to work my way up. I always produced a quality finish. The difference works out to be time. With the better

equipment you can work faster. It does pay for itself quickly, but you still have to have the scratch to buy it in the first place. This is how most businesses operate, upgrade when you can soonest afford to do so. Was your compressor the cheapest you could find? However my 1st rig I got was 12 years prior to starting my own business. Although it was a great rig in its time, I wouldn't be proud of it now. I don't even know why I bought it. It did help me in securing job working for someone else, and I advanced from there. Prior to me leaving I prepared and bought most my equipment that I needed. I know I might sound insensitive. But I have never understood why a man would never invest in the proper tools. You can never lose money on good tools. I got it for a smoking deal too thanks to good ol' Craigslist. But now if I ever get some free time I can tinker with the other one and if I get it working use it as an emergency back up. I didn't realize a simple question like that could stir up such a pissing contest. To each their own. Thanks again. No pissing match just discussion. Sorry you can't hang. It's all good. That's not a bad deal. What do I do just contact CH and let them know my unit isn't working. That's not a bad deal at all. Thanks Painterman you've been a lot of help, appreciate it. He has also picked up wood working as a hobby. I suppose he could use it to apply his vanishes on his work. How much do you add to your price for CH usage, or is it figured into your overhead. If so, how much does it add to the percentage of your overhead? That's not a bad deal. Thanks Painterman you've been a lot of help, appreciate it. Maybe a complete interior or exterior.



<http://eco-region31.ru/3ym20-installation-manual>

I'm not sure that pump can handle a good quality exterior. So you would need to dilute it down. The acrylics in the paint may damage the unit too. Do you get all your tools through Craigslist? I have never gotten much through Craigslist. I've considered it. BTW what does general liability for a handyman cost. I'm wondering if I should change my classification, try to save a buck. My license might get in the way of that. Knowing that many homeowners and DIYers are looking for a community to call home, we've created www.DIYChatroom.com. DIY Chatroom is full of helpful advice and perfect for DIY homeowners. Redirecting in 10 seconds. No Thanks. By joining you are agreeing to the terms of service. Already Have an Account. Login Remember me Forgot Password. Cloud, MN 1 Augusta, GA 1 Ventura, CA 1 Jersey Shore, NJ 1 Comes with a Campbell Hausfeld Professional Airless Spray Gun. I was having trouble getting it to spray properly. Unit was repaired and returned. I have not used it since then. I no longer need this sprayer. Call or email to see. Ea Motor runs and pump moves but will not prime. Most likely needs a rebuild kit. Good condition and works great. Motor runs and pump moves but will not prime. Most likely needs a rebuild kit. What you see is what you get. Cash only, no checks. They no longer make replacement parts for Campbell Hausfeld Airless Sprayers, so if you have this model it may come in handy later on to have! It's possible it can be repaired by someone who knows more about airless sprayers. I am unfortunately

unable to figure what's going on with it not do we have any use for it! Campbell Hausfeld Airless Paint Sprayer 1 Comes with a Campbell Hausfeld Professional Airless Spray Gun. Most likely needs a rebuild kit. Ideal for painting large surfaces where other sprayers fall short. Easy transportation with pneumatic tires makes this great for interior and exterior use. 1 horsepower diaphragm pump sprays 0.44 GPM at 3000 PSI.

<https://1866ilovejunk.com/images/brother-fax-1010-manual.pdf>



Airless design is compact and require Call, thanks Ideal for painting large surfaces where other sprayers fall short. Easy transportation with pneumatic tires makes this great for interior and exterior use. 1horsepower diaphragm pump sprays 0.44 GPM at 3000 PSI. Airless design is compact and requir Motor runs and pump moves but will not prime. Most likely needs a rebuild kit. Motor runs and pump moves but will not prime. Most likely needs a rebuild kit. To calculate the overall star rating and percentage breakdown by star, we don't use a simple average. Instead, our system considers things like how recent a review is and if the reviewer bought the item on Amazon. It also analyzes reviews to verify trustworthiness. See All Buying Options Add to Wish List Disabling it will result in some disabled or missing features. You can still see all customer reviews for the product. I saw another post on this and please dont buy anything from Harbor Freight ever unless you want to buy a new whatever it is you bought there every time you need to use it. All they sell is junk junk and a lil junk. Buyer beware! Reviewed in the United States on May 12, 2016 This product was horrible. I am a homeowner with normal skills. I have built sheds, put together lots of furniture, done some plumbing and electric and other homeownertype stuff, but I am admittedly no pro. I have never used a paint sprayer before and bought this item to paint the exterior of a house and a concrete basement. First off I found the assembly instructions to be terribly vague. The sprayer came with 3 hoses and several connectors and couplings and you are left to yourself to figure out which is which. I cleaned it first as directed and then primed it with my paint. For a minute or 2, it worked great. After that the sprayer quickly lost pressure and stopped altogether. I read the trouble shooting guide which recommended cleaning the filter.

<http://florianschlosser.com/images/brother-fax-1030-plus-manual.pdf>



I pulled the feed tube out of the 5 gallon bucket of paint, took it outside, cleaned it, flushed the system with water and tried again. The sprayer started smoking and making funny noises, overheated and shut off. All of this happened very quickly. I let it cool for awhile and turned it back on. It shut off again almost immediately. After trying this a few more times, it was finally completely dead. I called customer service who was completely unhelpful and unsympathetic. They would not give a refund or replacement because I did not strain and thin the paint first, even though the sprayer comes with no helpful advice of how to strain a 5 gallon bucket of paint and no equipment to do that. If this was so integral to its operation, it should have come with something to strain it and specific instructions on how to do it. I have found this to be especially true with tools. Any other high end tool I have bought has delivered. If you buy it, be prepared to thin your paint to the consistency of water, or the pathetically weak motor will die from the struggle of doing the only thing its made to do paint. This was easily the worst tool I have ever purchased and the customer service matched it. Dont waste your money, use a brush! Please try again later. Easy setuo Please try again later. Please try again later. Daniel Reis 4.0 out of 5 stars Why am I giving it three stars. Frankly, because its September and Im crabby. The spray gun included with this unit is absolutely nonstandard and this is really bothering me. We purchased a different brands extension tube Graco, 30in for the fitting at the end of the gun which then converts into its own nozzle, and paint was dripping down the side of the gun.

I didnt realize this at first, because I was in a bit of an excited rush to resume with a better nozzle and tried to keep painting, but all that happened was that a cloud of paint came raining down on me it appeared to be working before I actually used it up where I was resuming painting, so I didnt make that stupid of a mistake. Now the machine and I are both covered with paint, which I suppose will happen with any sprayer sooner or later. No big deal, honestly. The other problem I had with the spray gun, however, is borderline unforgivable. Who is to blame here. Graco is probably equally to blame, here, Im figuring out. I tried to keep my money inside USA with this purchase, and it is significantly more expensive for only marginally more quality lifetime warranty, though, too. Please try again later. Please try again later. glenn 5.0 out of 5 stars My first paint sprayer. I was amazed how fast it completes a job once i learned how to use it. Be sure to get a paint straining net and strain your paint first. I found this is best. I love it. Please try again later. Please try again later. This

sprayer will not spray granulated material like asphalt or texturebased material. However, this sprayer does make up for it with a unique feature called PushPrime. PushPrime guarantees spraying with ease and increased speed. This sprayer has a complete pressure control system that allows the user to adjust for heavy or light paint jobs. It also contains a power flush cleaning adapter which can be used with any standard garden hose to allow for easy cleaning. No more hassling with old dishcloths, buckets of water, or additional cleaning tools. The metal and plastic casing make for a lightweight and super compact sprayer. It has an Lshaped handle which makes carrying easier, and it only weighs 20 pounds. Titan boasts a pump that lasts 3 times longer than competitive sprayers. With softspray technology in place, this paint sprayer is perfect for interior jobs.

<https://cffcommunications.nl/wp-content/plugins/formcraft/file-upload/server/content/files/1/16270541c70e14---boss-mt-2-manual-download.pdf>

This technology can limit overspray by up to 55%. Lighter than most competitors, you can move this unit around with ease. It weighs in at a mere 37 pounds, making it easier than ever to position to your liking. No more wasted movements equals maximum efficiency. An easily replaceable fluid and lubricant section allows you to keep working, instead of bogging down with maintenance stops. This unit was created to save money and help save time on the project. It can handle anything from exterior siding and fencing to interior walls and ceilings. The sprayer comes with a fully metal SG2 spray gun and can support a tip size of up to 0.017. With its reversible tip, removing buildup and post job cleaning is easy. It can utilize up to 125 gallons per year and sprays around.31 gallons per minute. With this unit, we found it best for larger projects as it features a holder for a maximum of a 5gallon bucket. The model has a stainless steel pump for high pressure and smooth paint jobs. The Graco X7 has adjustable pressure control so paint flow can be managed for different surfaces, It sits on a convenient cart with two wheels which is made to move around with the pail hook for a 5gallon bucket. This sprayer is perfect for contractors looking for mobility and high performance. This sprayer can utilize up to 5 gallons of paint material at a time with over 0.35 gallons per minute, and around 3000 psi. This sprayer is ideal for any job since it can handle all materials, including sealers and fillers. The system features an auto lube system and Twin stroke piston pumps which aid in spraying even amounts and keeps the sprayer running smoothly. The gun features a 4 finger trigger for easy grip and control, while the 0.019 tip is a great size for larger projects. The Wagner 9175 also includes a 50foot hose for mobility and flexibility. They have original designs and keep sprayers up to date for the highest possible quality.

The Power Flo Pro 2800 does not fall short of HomeRight's innovative designs for sprayers. Boasting a speedy 0.24 gallons per minute of various paint types, a capacity support of up to 5 gallons, and a large tip size of up to 0.015, this sprayer is a great option for quick jobs. This model can cover over 2,000 square feet in approximately 20 minutes. The Power Flo Pro 2800 is made to cover large amounts of a surface with the 515 spray tip and has a spray pattern of around 10 inches. This is perfect for home siding, walls, and any large surface. It also features adjustable pressure so that small to midrange projects can be tuned to any painter's needs. The flexible suction tubes are able to be used in multiple containers. When tackling a large project, it can pull paint from a 5gallon bucket for consistent flow. The tip can be rotated which makes unclogging thick paint or leftover particle much easier. Since the hose is able to be attached to large buckets, it can be connected to any standard garden hose to clean it out. This sprayer can handle multiple types of material from latex to acrylic and stains. This model includes the SG2 gun and has a builtin filter for keeping clusters from forming in the tip. With the RAC IV 515 tip and the tip size of 0.017, this sprayer certainly is one of great quality. It can support up to 5 gallons of material and has a 25foot Duraflex paint hose. The setup for the Graco Magnum 262805 X7 is more formidable than a typical professional sprayer. The instructions are clear and concise, but it can take some time to get it fully setup and running. Luckily, Graco has included a DVD for your convenience and a quick start guide for people who need

a reminder each time they use this model. This sprayer boasts a 0.6 horsepower pump designed to provide a powerful amount of pressure for spraying various materials. This sprayer can provide around 0.33 gallons per minute, supporting up to 300 gallons per year with proper care.

This model comes with a basic functioning spray gun that is almost the bare bones of what airless sprayers feature. It has a lock and a tip guard to prevent any unnecessary spraying accidents and can help with a consistent paint flow. This model can support up to a 0.017 tip size and can produce 50% less overspray than other sprayer tips. For mobility purposes, the Titan 1700 Pro features a sturdy metal frame with various handle locations and sits on two wheels. This unit can hold a maximum tip size of 0.023 and has a maximum delivery of 0.54 gallons per minute. It is not a cart based sprayer but has a heavy duty handle for comfortability and mobility. The frame is small and compact with the motor taking up the majority of the design. This totals the overall weight of the unit to 35 pounds, which is heavy and inconvenient for mobility. This model comes with a 50foot long hose for those harder to reach projects. The user can also purchase an additional hose reel for storing it with the unit itself. Titan has been around for 50 years and has created products that professionals can trust. Graco Ultra 395 Stand Electric Airless Paint Sprayer The Graco Ultra 395 Stand Electric Airless Paint Sprayer is one of Graco's more heavy duty and powerful sprayers. This unit contains "the most reliable pump on the market" and is guaranteed to last two times longer than any other leading sprayer brand. It has a Vmax Blue packing and Chromex rod for guaranteed life and quality of paint flow. It is also able to connect to a garden hose for a easy cleaning after a job. With its simple design and focus on power, this unit is ideal for DIY projects and as a backup sprayer for professional contractors. The metal gun in the box is easy to handle and has a builtin filter to help decrease buildup and allow for smooth paint flow. While this unit is simple, it does have easy to use controls for adjusting pressure.

This model comes with a paint pickup stainless steel bucket and helps prevent corrosion with multiple uses. Graco 17C305 Pro210ES Cart Pro Connect Paint Sprayer The Graco Pro210Es Cart is one of the best heavy duty models on the market. Professional contractors and remodelers will take a liking to this unit for larger projects. This model features an Endurance Pump which has a maximum life guarantee and can utilize 1500 gallons per year. This model can spray a whopping 0.47 gallons per minute and has a PSI of over 3000. This is not for DIY, as the price leans on the expensive side for the power and the features it has. The maximum tip size it can take is 0.021 and can handle a maximum hose length of 200 feet. This model, in particular, is quite a hefty one, weighing in at approximately 62 pounds. As a result, this unit is not made for mobility. Campbell Hausfeld PS261C 0.34 GPM Airless Sprayer with Quadraflow Spray Gun The Campbell Hausfeld Airless Sprayer is perfect for large interior projects and trim. With its low cost and high capacity, it is great as an "addon" sprayer for any professional or a firsttime pump for any DIY projects. This airless sprayer is great for large surfaces such as walls or ceilings. It sits on two semipneumatic tires for added durability and is based on a steel black frame. This model has a 25foot hose and can support up to a 100foot hose. It has a PSI of 3000 and can support a maximum tip size of 0.017. This model comes with a lifetime warranty, so the pump and motor can be replaced at no cost to the user. One of our favorite features is the builtin auto bucket level, which contributes greatly to smooth paint jobs. Graco Ultra Max II 490 PC Pro Stand Electric Airless Sprayer 17C327 Pro Connect The Graco Ultra Max II 490 PC Pro does not fall short of the wellmade designs that Graco is known for. This unit tends to be on the smaller side of airless sprayers but is still a well put together model.

This unit is ideal for professionals as it can handle a variety of paint materials and is powerful enough to complete various heavy duty tasks. The 490 PC Pro boasts a brushless 1HP motor and has a maximum PSI of 3300. The Ultra Max II 490 can produce around 0.54 gallons of paint per minute and can support a maximum tip size of 0.023. The motor is fully enclosed, which is an added bonus that is useful for keeping it running smoothly during various projects. This model also has a fan to

keep the pump and motor cool during use. This model features what's called Smart Control 2.5, which is a computer program that keeps track of the Ultra Max's usage, including both hours and gallons used. Graco 17G177 Magnum ProX17 Stand Paint Sprayer The Graco 17G177 Magnum ProX17 Stand Paint Sprayer has beat its previous predecessor, the X7 model, with material usage per year. The ProX17 can handle over 300 gallons per year which is around 57 gallons of paint per week. This is the ideal sprayer for professionals who remodel entire homes or for keeping up with maintenance at a large rental property. This model can handle hefty exterior or interior projects, including walls, large decks, and siding. The average output is around.34 gallons per minute which is faster than the average professional sprayer. The gun can handle a maximum tip size of 0.017, so it can handle a range of various projects. The sprayer also includes the SG3 metal spray gun that has a great performance. This sprayer can handle almost any material except for texture fillings, block fillers, and lacquers. It can utilize a 5gallon bucket of material to help speed up projects. The setup for this model is a hefty task compared to other models and may be a learned process for some users. Important Links Home Painter Guide Blog We are a participant in the Amazon Services LLC Associates Program, an affiliate advertising program designed to provide a means for us to earn fees by linking to Amazon.com and affiliated sites.

Airless paint sprayers use a hydraulic pump to force paint through spray tips, which can go through larger amounts of paint for your projects. To convince you, we've included a guide on how to use and maintain an airless paint sprayer down below. Though these types of power machines may look more complex, they can actually create beautiful works of art more easily, as demonstrated below. Why You Should Use an Airless Paint Sprayer An airless paint sprayer like the Campbell Hausfeld Paint Sprayer can definitely simplify the painting process. If you want to speed up a painting job that requires multiple gallons of paint, then you can apply it faster with a sprayer. If you want a smooth finish on wood surfaces, then a sprayer can achieve that as well. Not to mention, the many advantages to this painting method over other methods Those methods can seem smart when you have to fill in a lot of details, but when it comes to bigger projects, they can seem intensive and timeconsuming. Airless paint sprayers can paint much faster than paint brushes or rollers, and still leave a flawless paintwork behind. Uniform Application The Campbell Hausfeld Paint Sprayer is perfect for paint jobs that are not ideal, such as textured surfaces, popcorn effect ceilings, or unevenness. Airless paint sprayers can leave behind a uniform application because you don't have to stop and start, like other painting methods. You can also skip the unnecessary riding or streaking that other methods require. No Compression The Campbell Hausfeld Paint Sprayer doesn't require compression techniques like other painting methods. It uses a hose method to move paint outside, which prevents overspray problems and you gain control over the flow of the spray. This further enhances your ability to create clean, uniform paint jobs without problems getting in the way. Portability The Campbell Hausfeld Paint Sprayer is a great choice because it's placed on a cart for easier portability.

Other paint machines can be difficult to manipulate or move, but airless paint sprayers aren't like that. They can be easily moved around rooms, in and out of houses, and into storage as needed. With smaller sizes and engines, airless paint sprayers and an efficient method for painting. The Campbell Hausfeld Paint Sprayer requires a little more knowledge when you're learning how to paint with it, as it requires different rules compared to other methods of painting. Despite the benefits of airless paint sprayers, you must have equal knowledge about the painting process, to prevent any mistakes. Painting isn't as simple as it might look, especially when you're introducing power machines into the mix. Make sure that you successfully prep the surfaces and set up the paint correctly. Not to mention, that you pick out the best airless paint sprayer for your needs. However, the efficiency and time that you save using this type of painting is worth the effort. When using an airless paint sprayer, you must 1. Pick the Right Tip Picking the right tip for your airless paint sprayer is vital for a clean painting finish. Larger tips will probably require more pressure, but they're perfect for

larger painting jobs. Narrower tips are the best for precision work. 2. Thin the Paint Airless paint sprayers work best with latex paint, however, the type of paint you use will depend on the surface of your project.

<http://www.bosport.be/newsletter/3ym20-installation-manual>